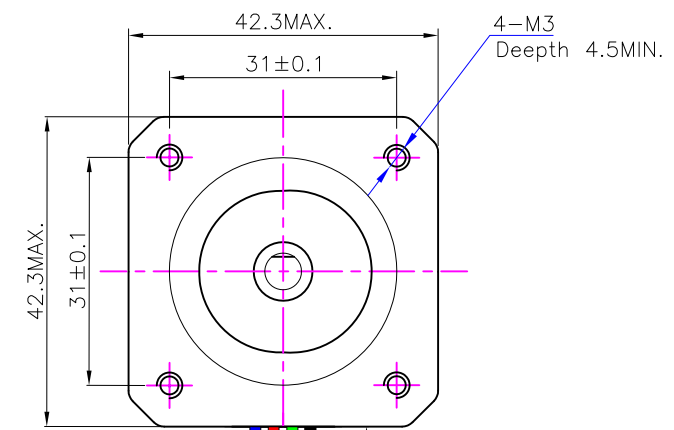
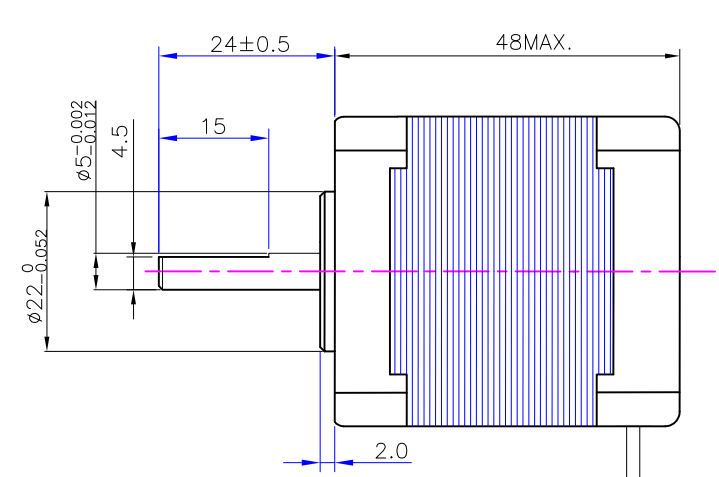
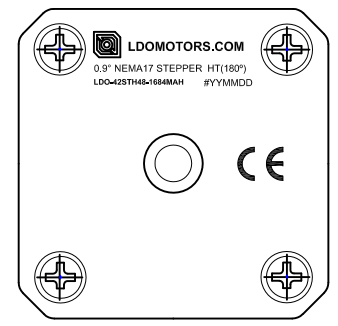


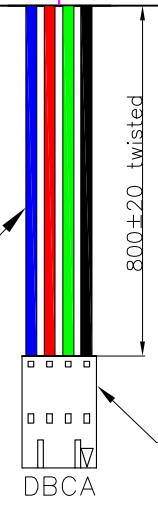
1 2 3 4 5 6



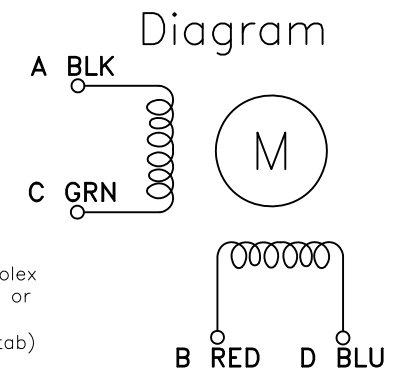
Label by laser print





UL1332 24AWG  
Teflon Wire  
200 DegreeC  
(KEY Feature)



Connector: Molex  
50-57-9404 or  
Equivalent  
(with locker tab)



Items	Specs	Items	Specs
Phase Number	2 phases	Step Angle	0.9° ±5%
Rated Voltage	2.8 VDC	Rated Current	DC 1.68 A / Phase
Resistance(20°C)	1.65±10% Ω / phase	Inductance	2.8±20% mH / Phase
Holding Torque	≥ 4 Kg-cm	Detent Torque	0.2 Kg-cm REF.
Rotate Direction	ABCD CW	MAX Starting PPS	2500 PPS
MAX slewing PPS	2500 PPS	Insulation Resistance	≥100 MΩ (DC 500V)
HI POT	AC600V/1mA/1S	Insulation Class	<b>Class H 180°C</b>
Rotor Inertia	68 g.cm <sup>2</sup>	Weighth	0.35 Kg REF.

REV	ECN NO	Description	Made by	Approve	Date
A	---	New Release	Xu SD	J. B.	11. 29. 19
  <b>LDO MOTORS CO.,LTD</b> <b>Hybrid Stepper Motor</b> <b>LDO-42STH48-1684MAH</b>					
Des.	Check	Appr.	Date	Factory Code	page

1 2 3 4 5 6