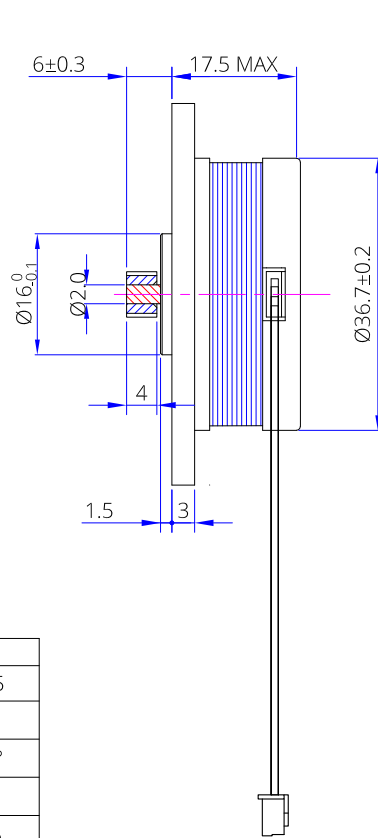


HT Stepper: (180 °C)



Specification for the gear	
MODULE	m=0,5
NO.OF TEETH	z=8
PRESSURE ANGLE	a=20°
PITCH DIA.	d=5
OUTSIDE DIA.	da=5
MATERIAL	Brass

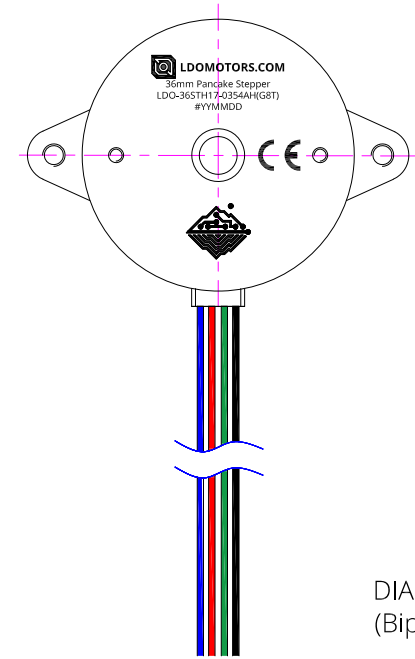
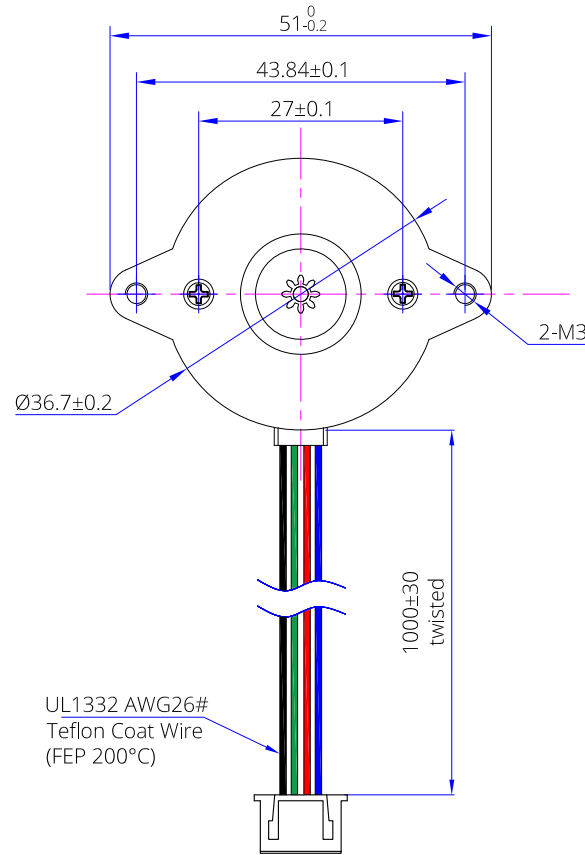
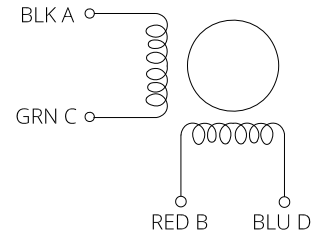


DIAGRAM (Bipolar)



Items	Specification	Items	Specification
Phase Number	2	Step Angle	1.8° ± 5%
Rated Voltage	DC 10V / Phase	Rated Current	DC 0.35A / Phase
Phase Resistance	10.8x(1±10%) Ω	Phase Inductance	6.0x(1±20%) mH
Holding Torque	60mN-m	Detent Torque	5 mN-m REF.
Rotation Direction	A-AB-B CW	Insulation Resistance	100Mohm(DC500V)
HI-POT	AC600V/1mA/1S	Winding Insulation Class	Class H 180°C
Rotor Inertia	13.7 g-cm ²	Weight	73 g REF

A		NEW RELEASE		Xu SD	J.B.	5/5/22
REV.	ECN NO.	DESCRIPTION		MADE BY	APPR. BY	DATE
		VIEW	LDO Motors Co., Ltd.			
		SCALE	Part NO. 36mm Pancake Stepper HT LDO-36STH17-0354AH(G8T) WAS LDO-36STH17-1004AH(G8T)			
DRAWN BY	CHECKED BY	APPR. BY	DATE	FACTORY CODE	SHEET NO.	
Xu SD	J.B.	J.B.	11/10/20		1/1	